

## Weighbridge FT

*Factory CE mark, immediately operational  
in legal metrology*



### Description

- ▶ Modular steel frame poured with C35/45 concrete in factory or on site (contact us).
- ▶ Rated weighing capacity: from 30 to 60 tonnes depending on dimensions - 13 tons/axle
- ▶ Weighing accuracy in legal-for-trade OIML: 10 or 20 kg
- ▶ Overall height = 42 cm
- ▶ Standard lengths (4 load cells/module): any combination of 1 to 3 modules of 7 or 9 meters long
- ▶ Standard width = 3 meters
- ▶ Fully pre-assembled and factory wired (final assembly can be done on site)
- ▶ Cross-way directions (only with concrete central panels)



Load cells 30 tons stainless steel unit, IP69K protection class, CANbus technology ARPEGE MASTER K, factory calibrated with integrated self diagnosis system.

Load cells protected by triple protection against electrical hazards and lightning (internal electronic protections suppressors + transients in the junction box + insulation and grounding straps plates)

Load cells cables protected (including against rodents) by stainless steel braided shield

- ▶ Weighbridge stabilized with 2 stops integrated per module of 7 or 9 meters

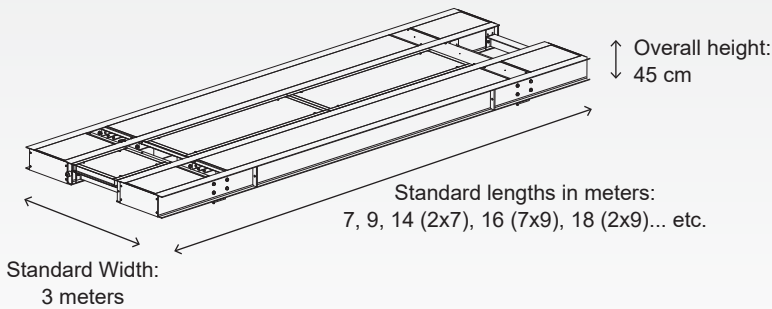


### Benefits

- ▶ Simple engineering to achieve
- ▶ Mounting: pit or above ground
- ▶ Simplified assembly, structure put directly on the massive civil engineering (plate pegged support in the mass) used in all industry sectors
- ▶ Integrated stops to load plates
- ▶ Easy access for maintenance and cleaning using technical hatches above the load cells and removable center panels of the weighbridge
- ▶ Transportable by container or burden width 1 m



## Weight / Overview



DIMENSIONS	WEIGHT (kg) with steel panels
7 meters (with concrete*)	8 380
7 meters (without concrete**)	4 480
9 meters (with concrete*)	11 070
9 meters (without concrete**)	5 480
14 meters (with concrete*)	16 760
14 meters (without concrete**)	8 860
16 meters (with concrete*)	19 450
16 meters (without concrete**)	9 960
18 meters (with concrete*)	22 140
Other sizes on request	

\* Weight of weighbridge with cast concrete panels factory

\*\* Weight weighbridge without concrete (cast on site)

## Options / Accessories

### ▶ Wheel guides



- ▶ Painted finish (blasting + polyurethane paint) or hot dip galvanizing
- ▶ Two versions of central panels available: concrete or high-grip steel treadplates
- ▶ T-shaped sealing on edges

## Main peripherals

Fully efficient with all ARPEGE MASTER K indicator range and peripheral devices



PC



RP 75 HL



IDE 250



IDE 500



WINSTAR or POWER-WEIGHT



IDE 400



IDLC



IT weighing management and access control with or w/o terminal

**ARPEGE MASTERK**  
 Bâtiment n°6 - 15, rue du Dauphiné  
 CS 40216 - 69808 St PRIEST - FRANCE  
 Tél : +33 (0)4 72 22 92 22  
 Fax : +33 (0)4 72 22 93 45  
 marketing@masterk.com

Download our datasheets  
 from our website  
[www.masterk.com](http://www.masterk.com)

Company Registration: 971 506 480 RCS LYON  
 SIC registration code: APE 2829A French VAT: FR 28 971 506 480

Your contact information