

AXLE WEIGHER



Characteristics

- ▶ Nominal load capacity 20 tonnes/Weighing scale division 10 kg (static), 20 kg (dynamic)
- ▶ Dimensions: Deck 3,000 x 710 mm (weighing surface)/3,190 x 900 mm (overall dimensions with casing)
- ▶ Rigid steel casing delivered with the weighing platform for installation in the ground
- ▶ Reduced height 240 mm
- ▶ Fitted with 4 analogue load cells each of 7.5 tonnes
- ▶ Stabilisation system of the weighing deck by resilient leaves
- ▶ Access to load cells by removable hatch on the top of the weighing deck

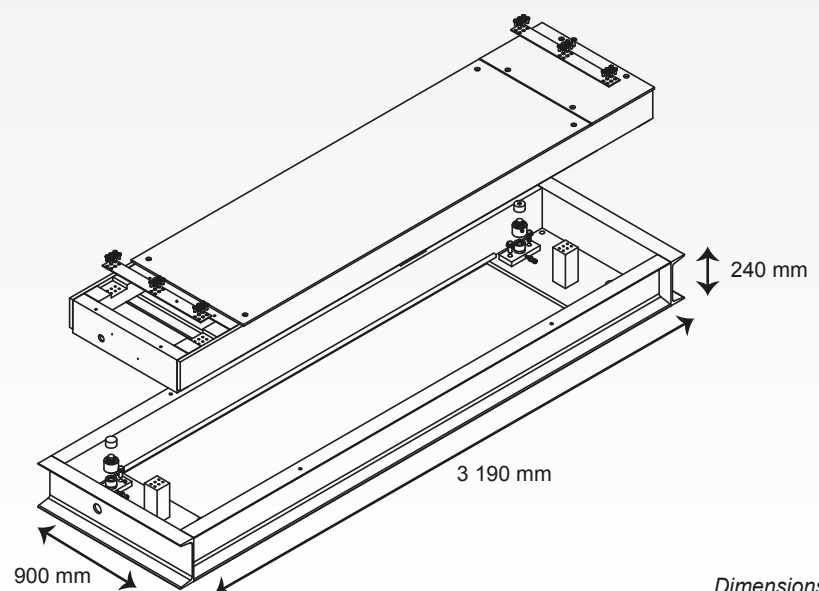
Advantages

- ▶ "Ready to pour" one-piece weighing system incorporating the casing
- ▶ Low height of 240 mm limiting the excavation depth for the installation.
- ▶ Dynamic axle Weighing with detection of number of axles

Plan/Size

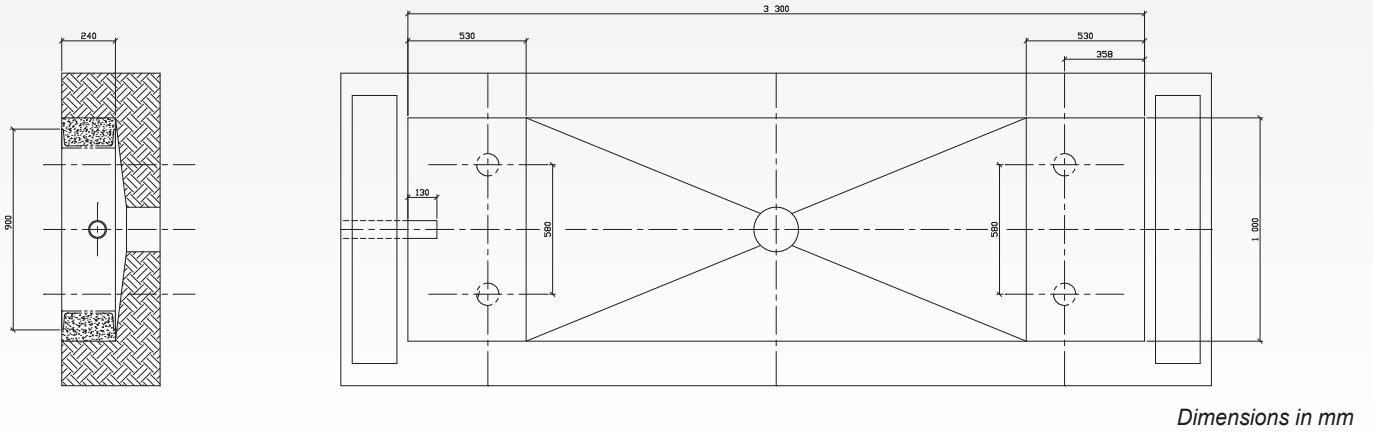
Weight: 1,100 kg

Dimensions: 3,190 x 900 x 240 mm



Dimensions in mm

Simplified civil engineering drawing



Associated equipment/Complete solution

IDe 400 indicator



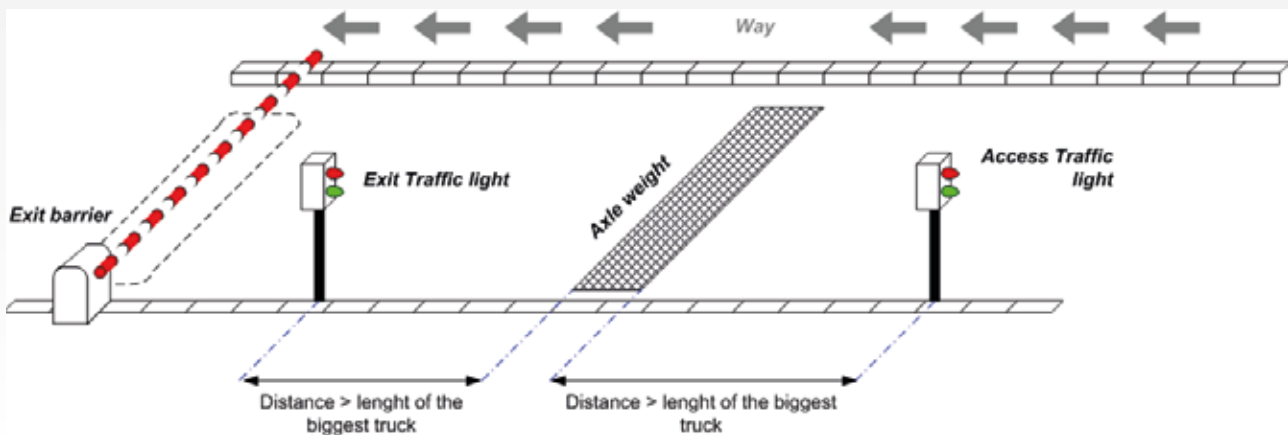
- ▶ 240 pixels by 64 pixels LCD screen made up of the weight expressed in 6 digits of height 15 mm and an operator guide
- ▶ Fitted with an alphanumeric keyboard for entering and configuring:
 - Company name (3 header rows + 2 ticket end rows)
 - Registration number
 - Operating data (customers, products, etc.)
- ▶ Metrological settings and configuration of functions from front panel
- ▶ Axle weigher programme:
 - Static weighing axle by axle
 - Dynamic weighing with the vehicle travelling at a constant speed of 5 km/h maximum
- ▶ Display of the weight of each axle
- ▶ Calculation of the total weight of the vehicle



ILA 350 printer for outputting weights

- ▶ Office type printer with sprocket drive (standard single sheet or duplicate paper)

Diagram/example



ARPEGE MASTERK

Bâtiment n°6 - 15, rue du Dauphiné
 CS 40216 - 69808 St PRIEST - FRANCE
 Tél : +33 (0)4 72 22 92 22
 Fax : +33 (0)4 72 22 93 45
 marketing@masterk.com

Our product factsheets
 are available for download
 at our website
www.masterk.com

Your contact information